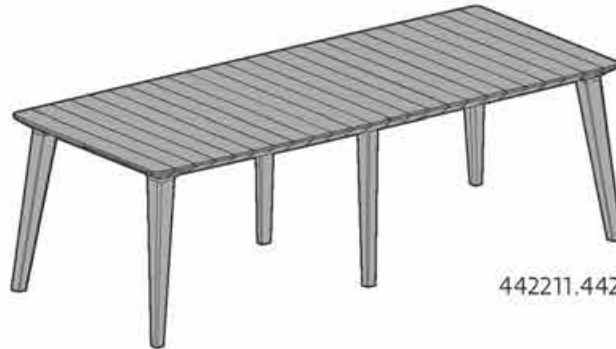




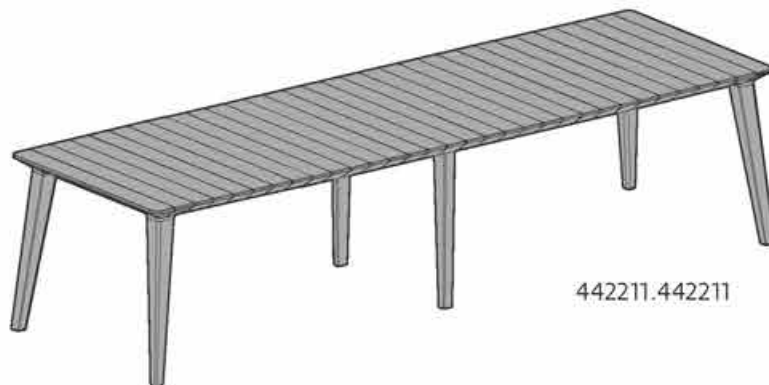
442210



442211



442211.442215





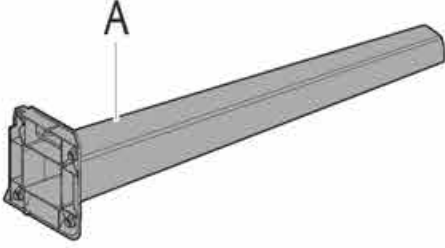
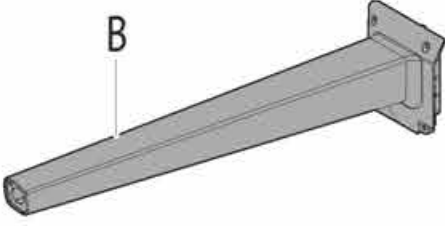
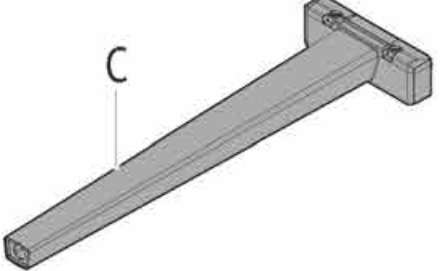
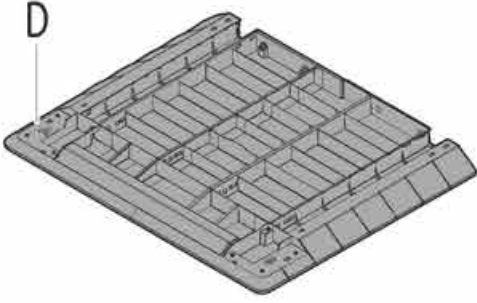
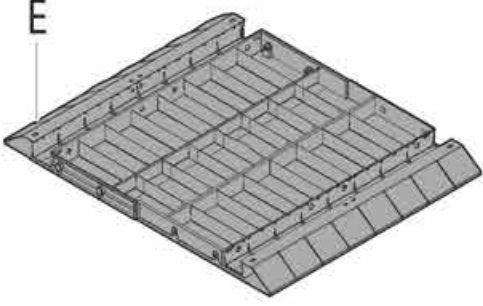


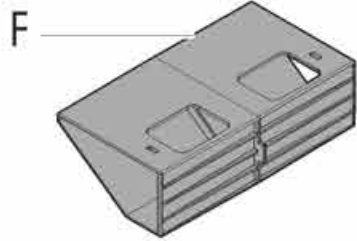
442211.442211



NEN 581					
✓	✓	✗	✗	✓	



	 160	 240	 240+	 320
 A	2x	2x	2x	2x
 B	2x	2x	2x	2x
 C	-	-	2x	2x
 D	2x	2x	2x	2x
 E	-	1x	1x	2x

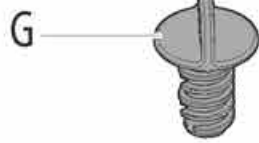


2x

4x

4x

6x

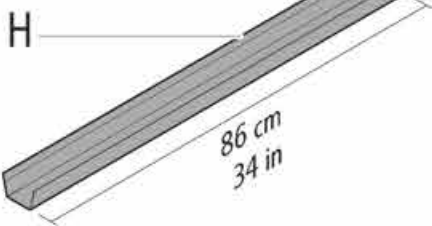


4x

8x

12x

16x

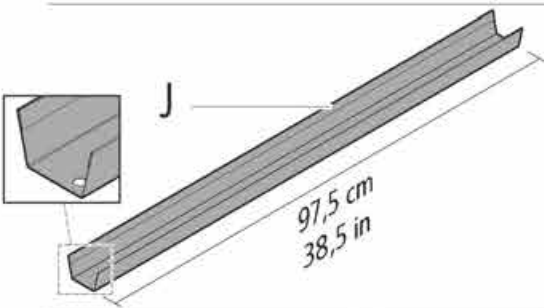


2x

4x

4x

4x



-

2x

-

-

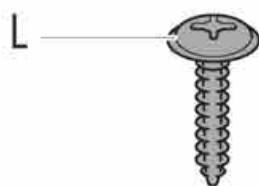


4x

4x

4x

4x

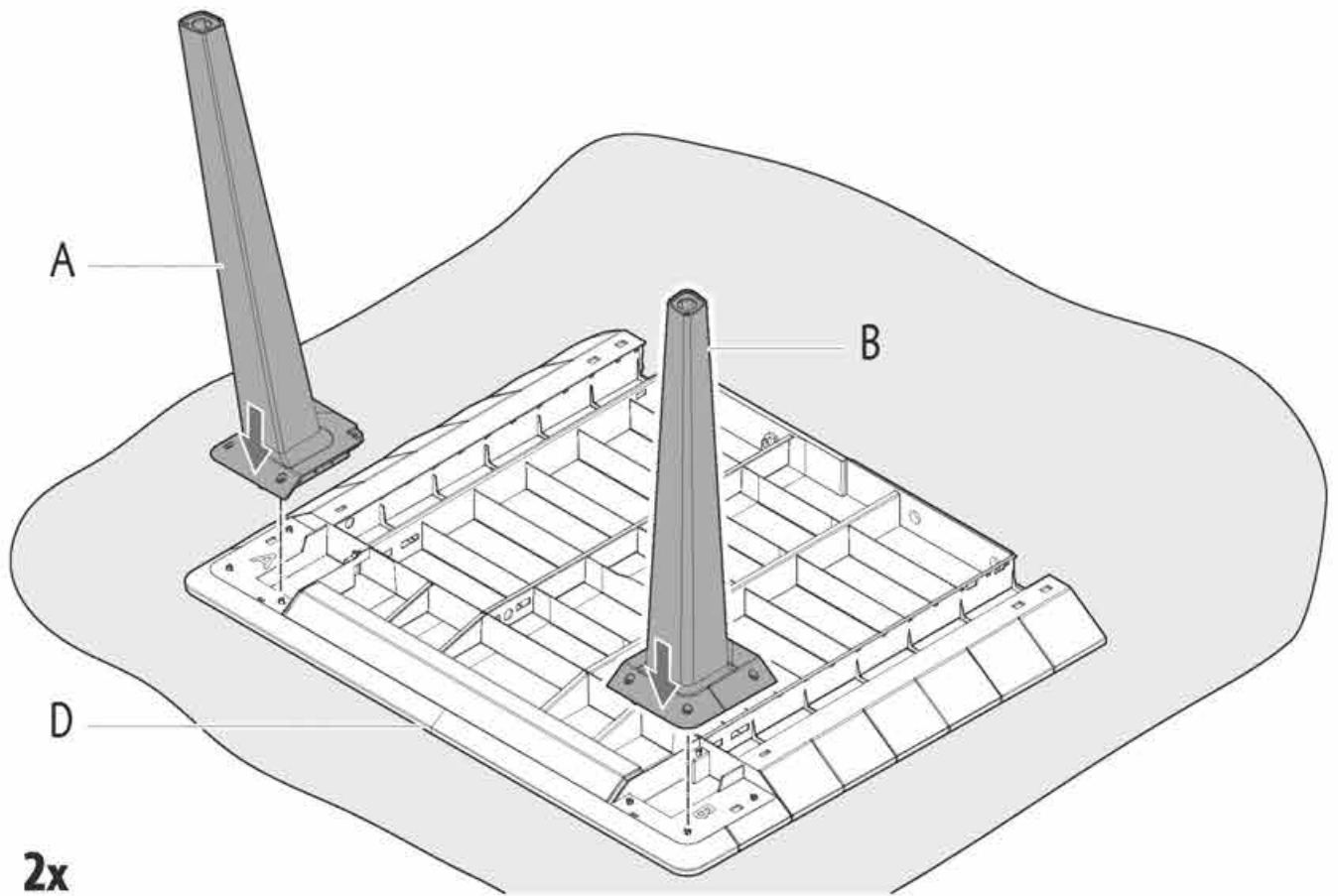


16x

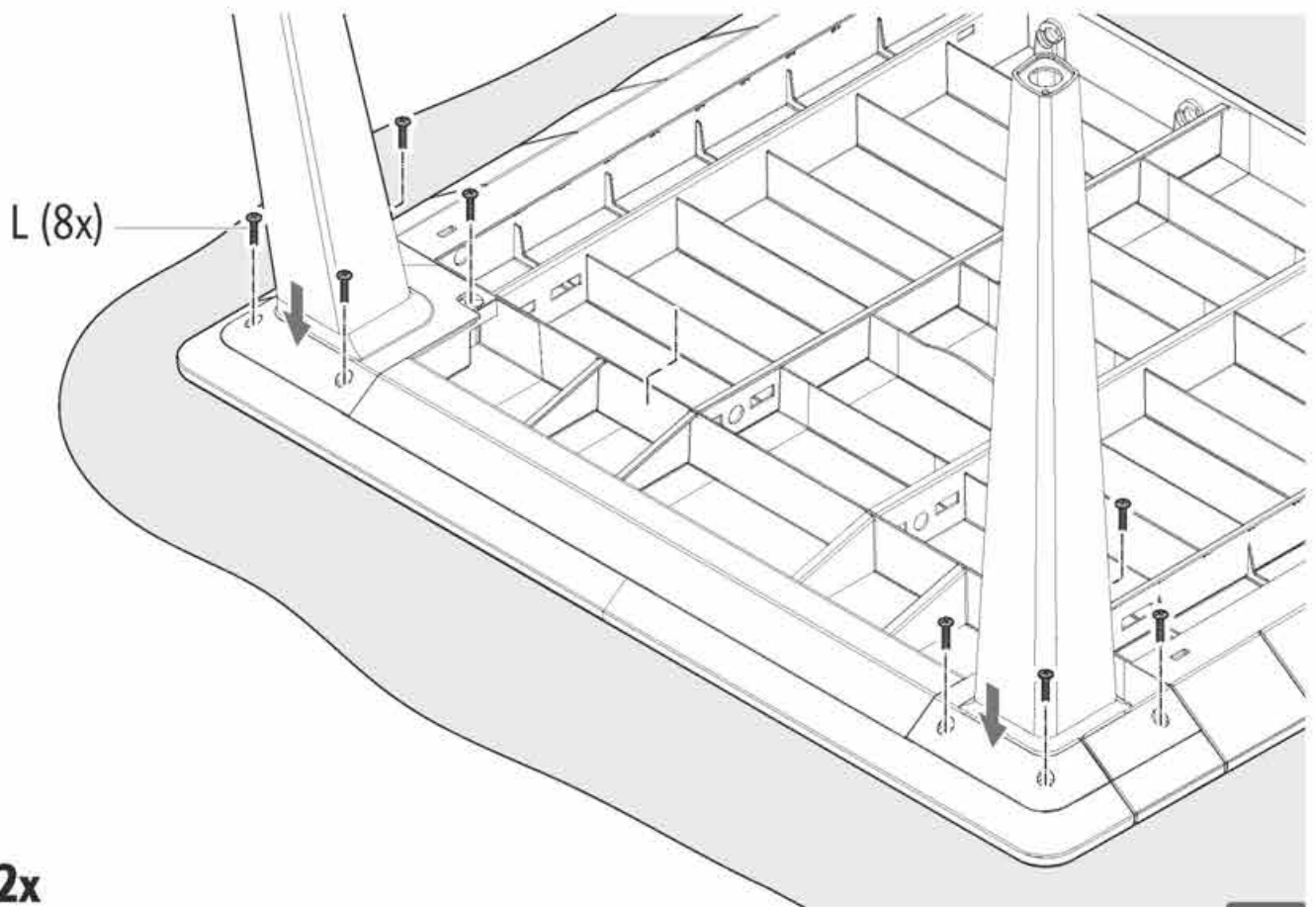
16x

16x

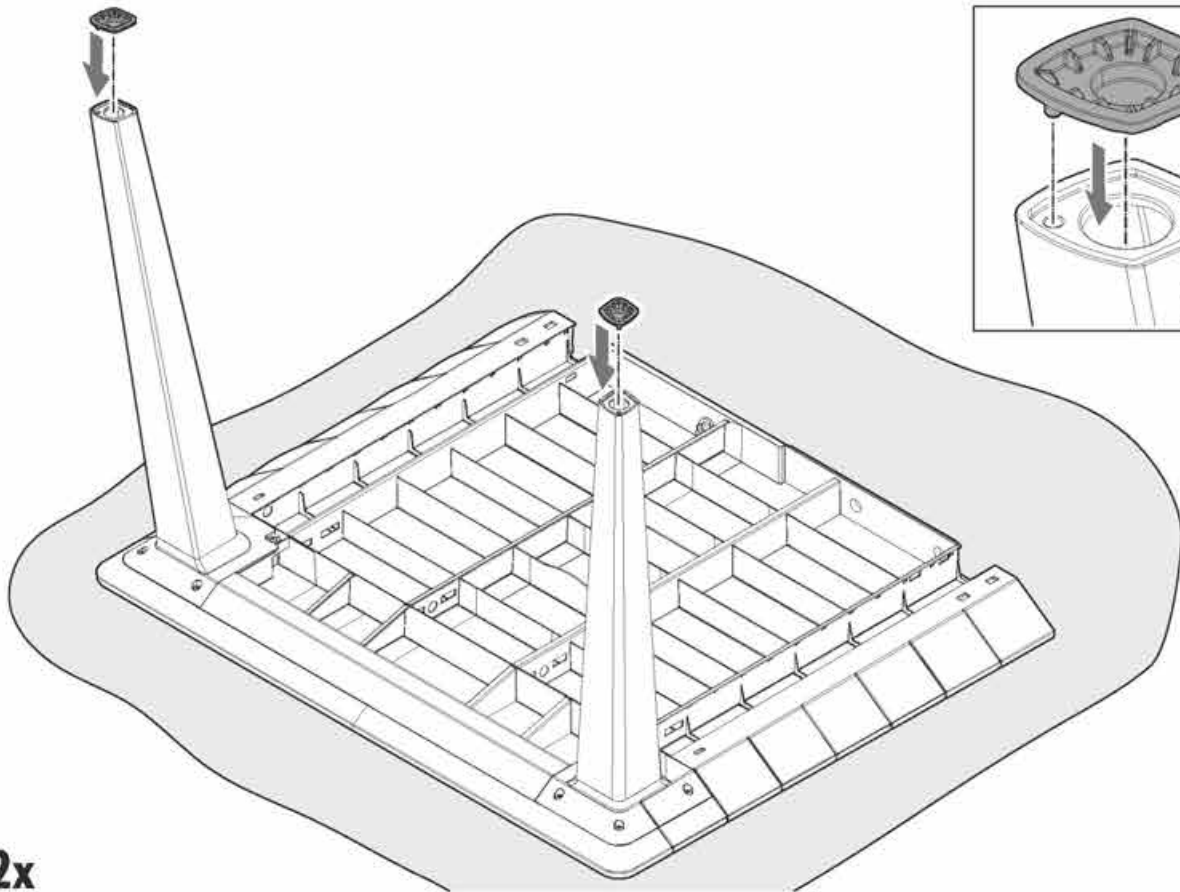
16x



1

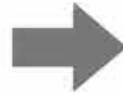


2

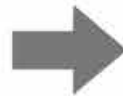


2x

3



4 — 7



8 — 11

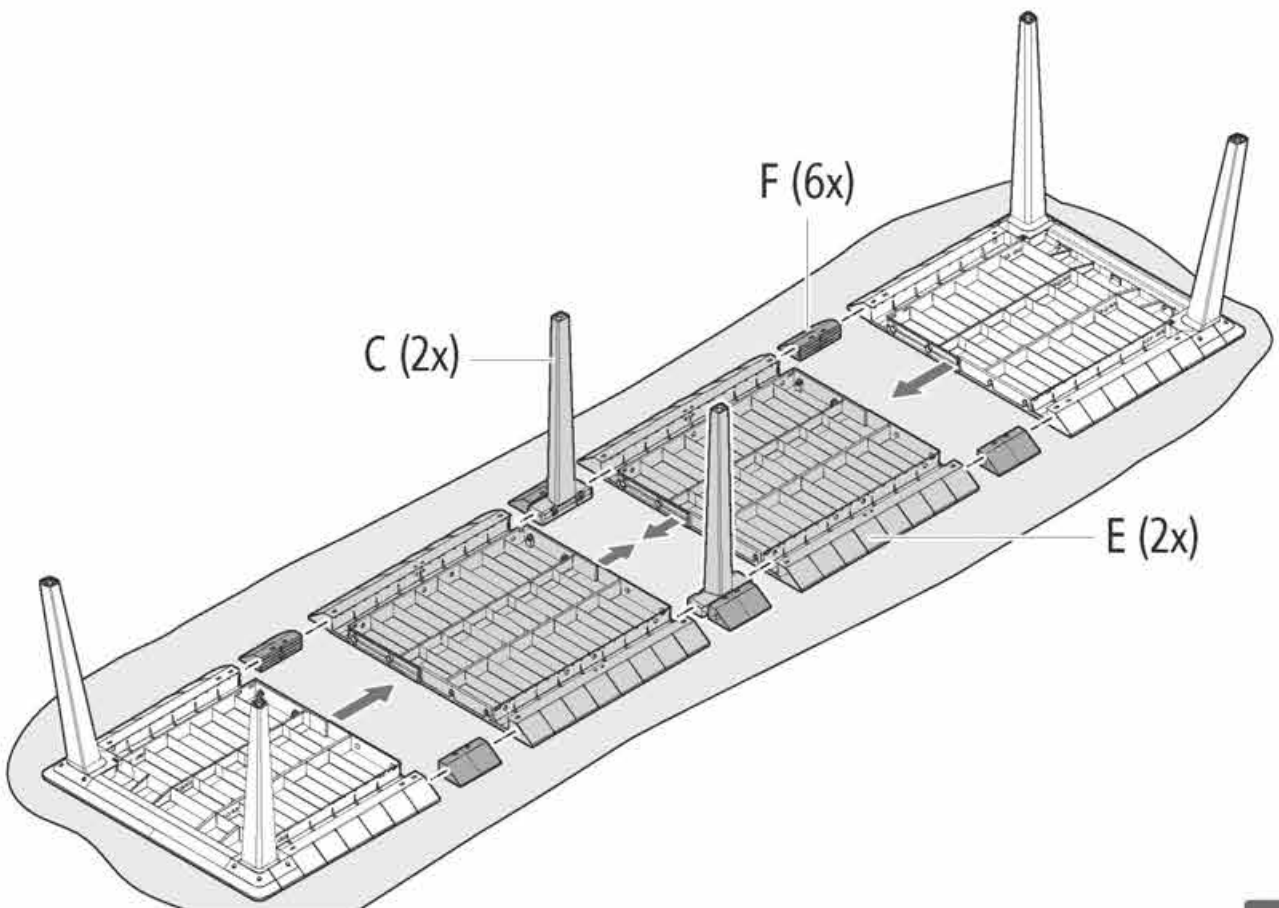
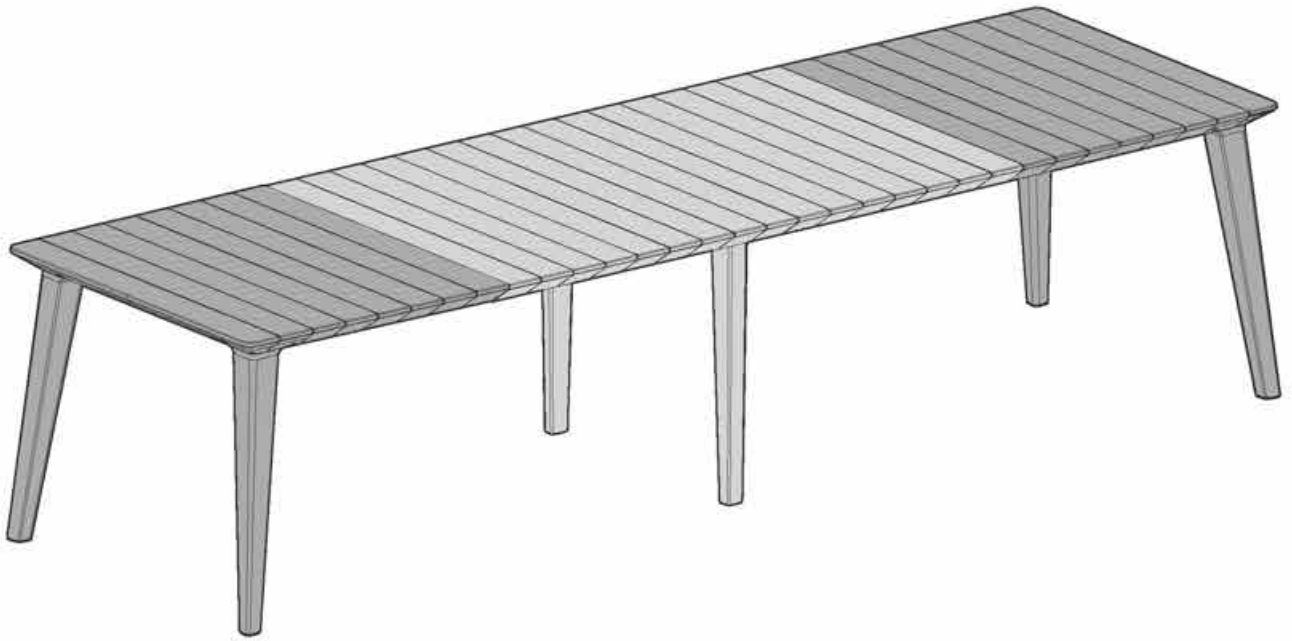


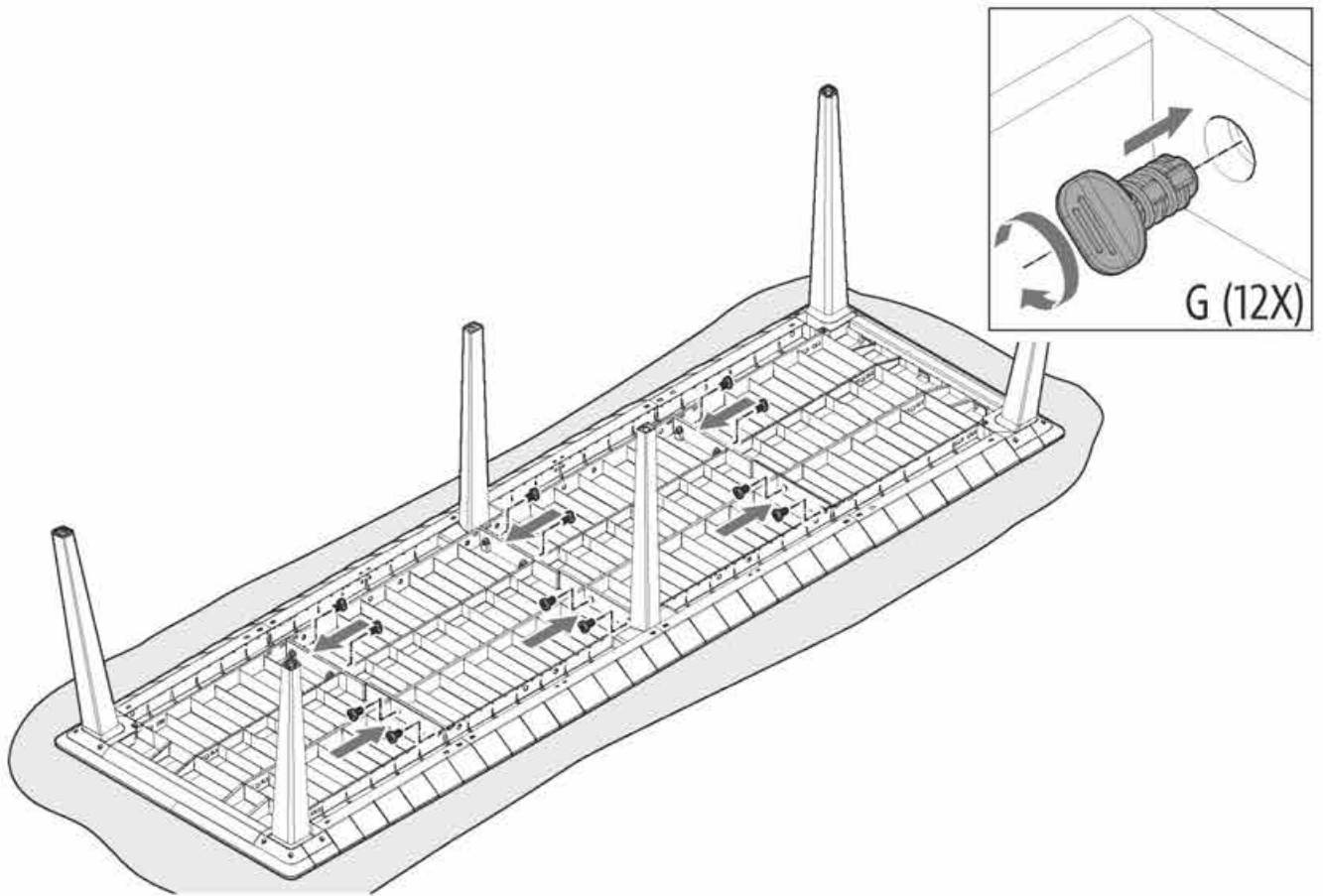
12 — 15



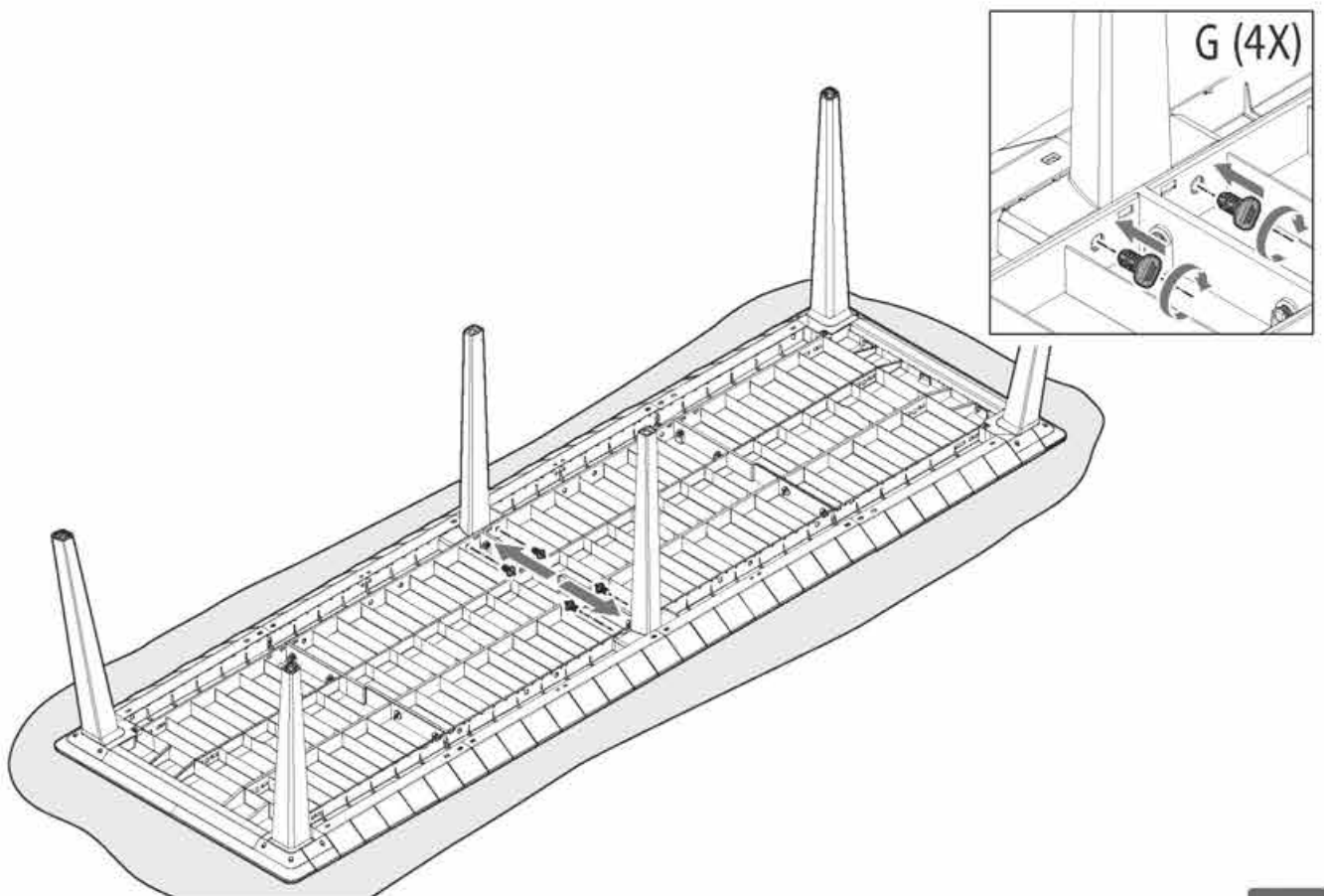
16 — 18

320

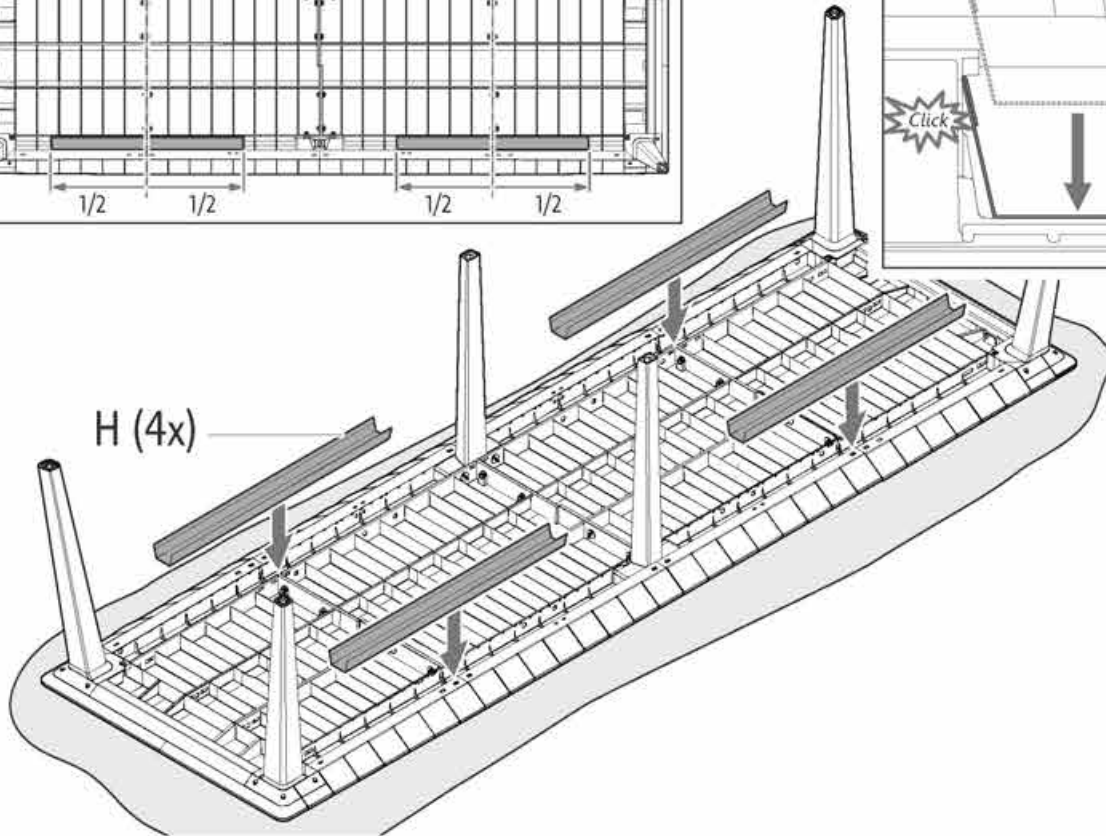
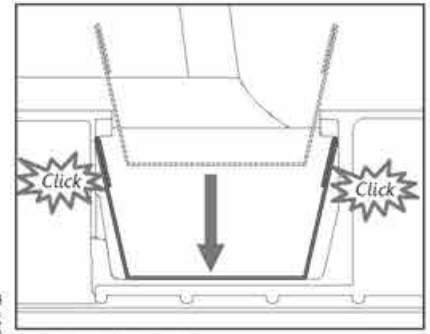
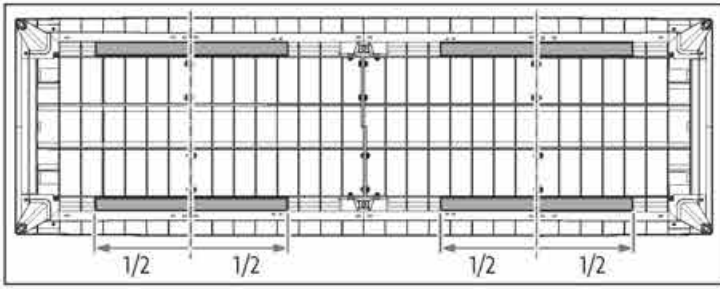




5

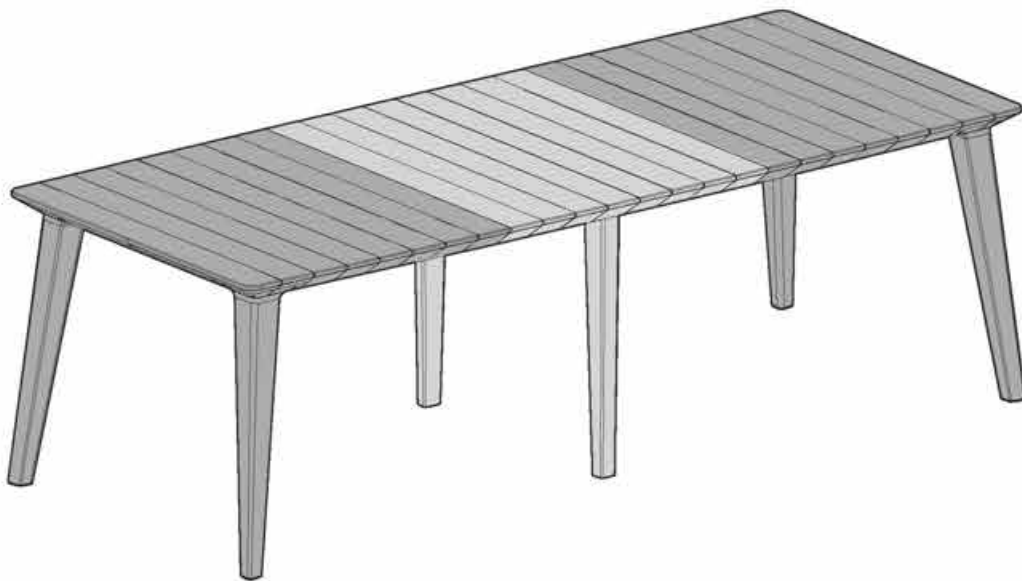


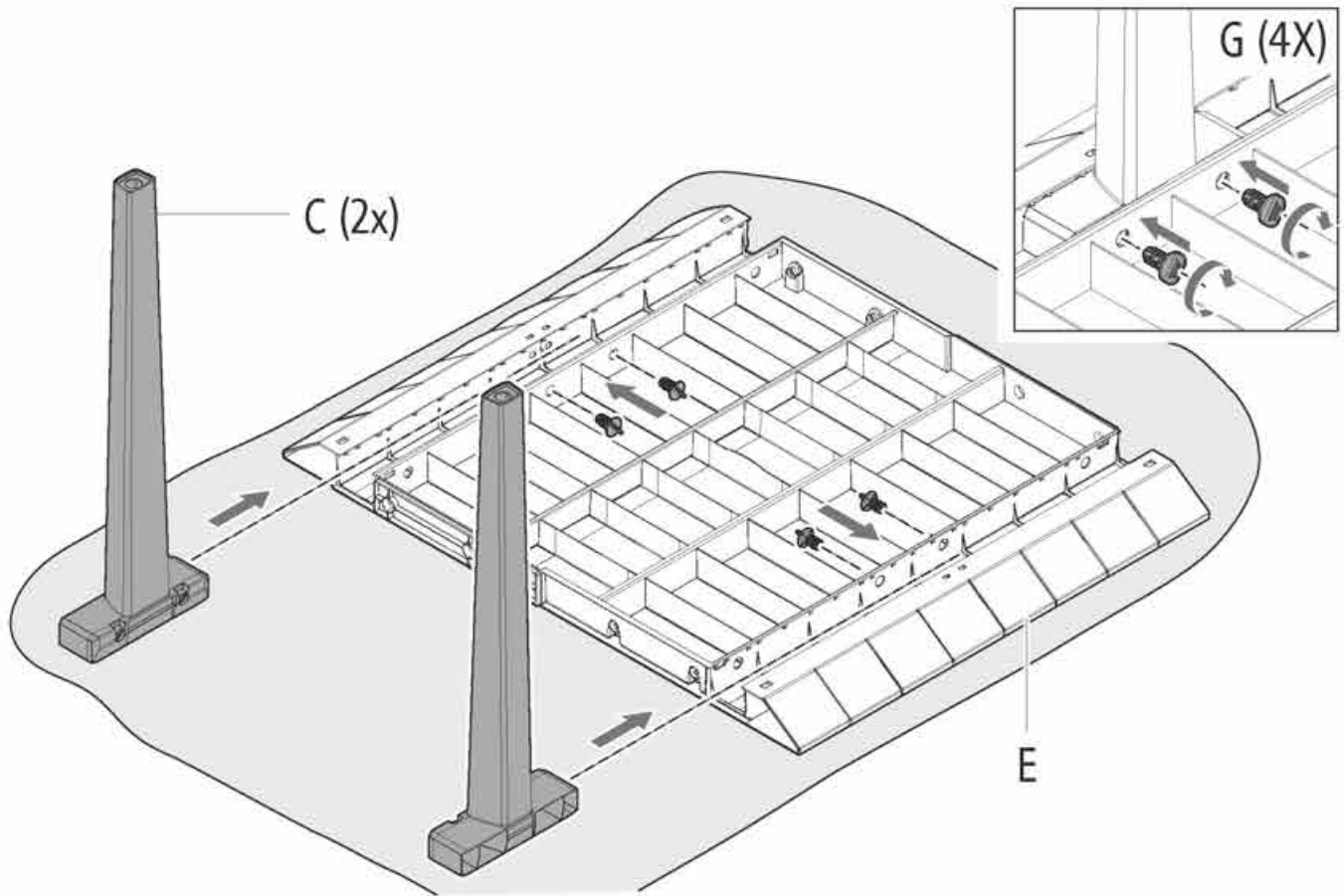
6



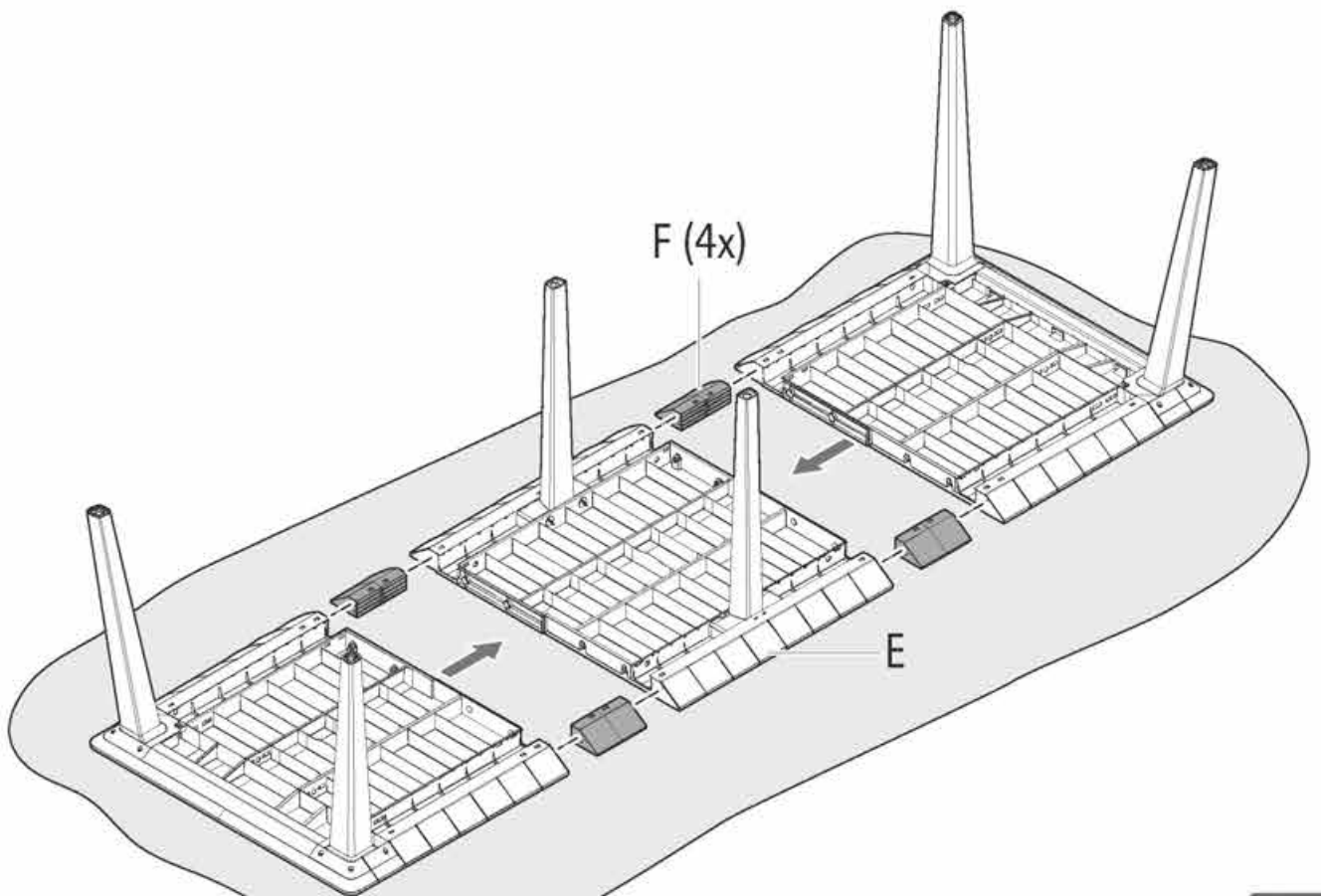
7

240+

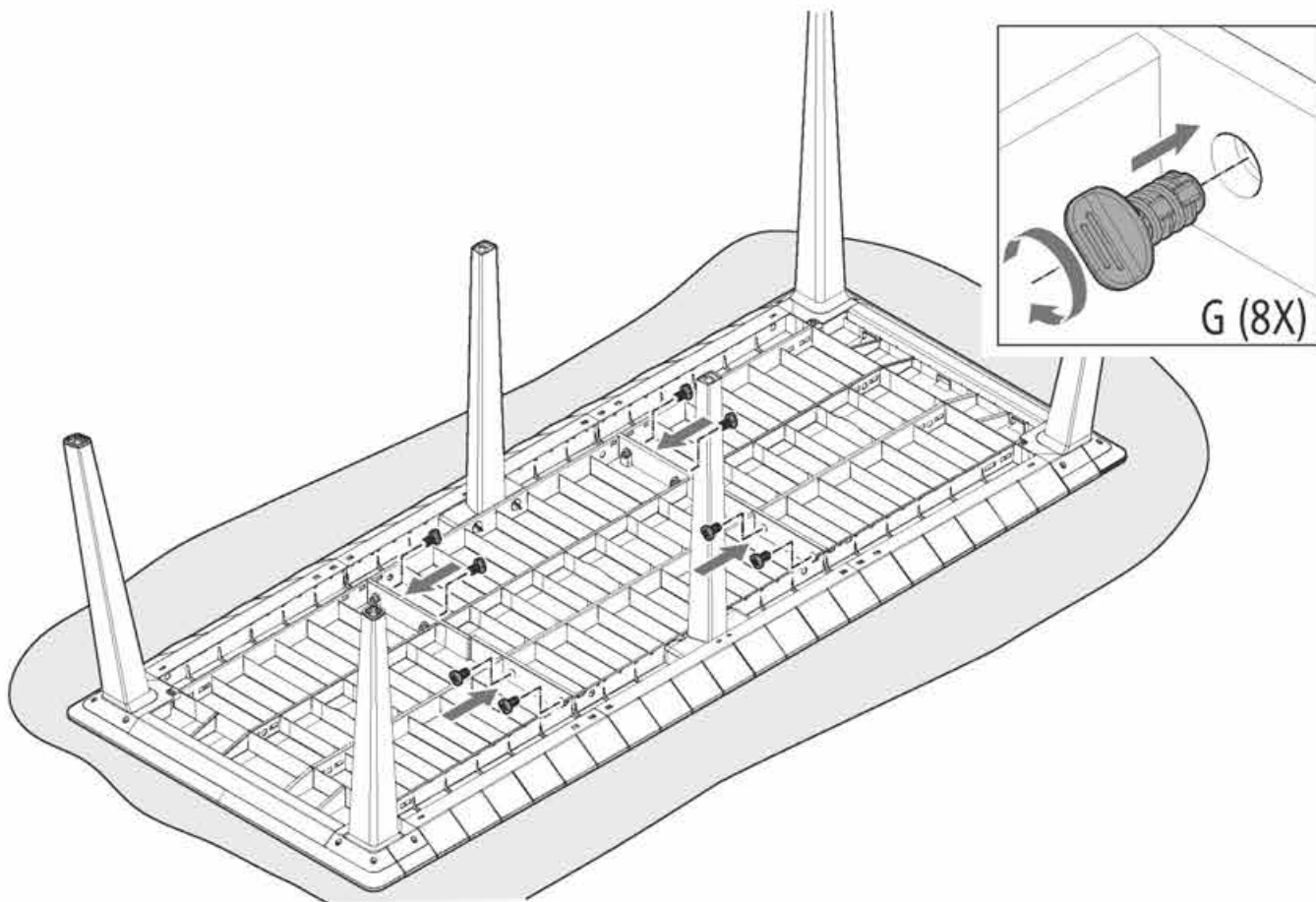




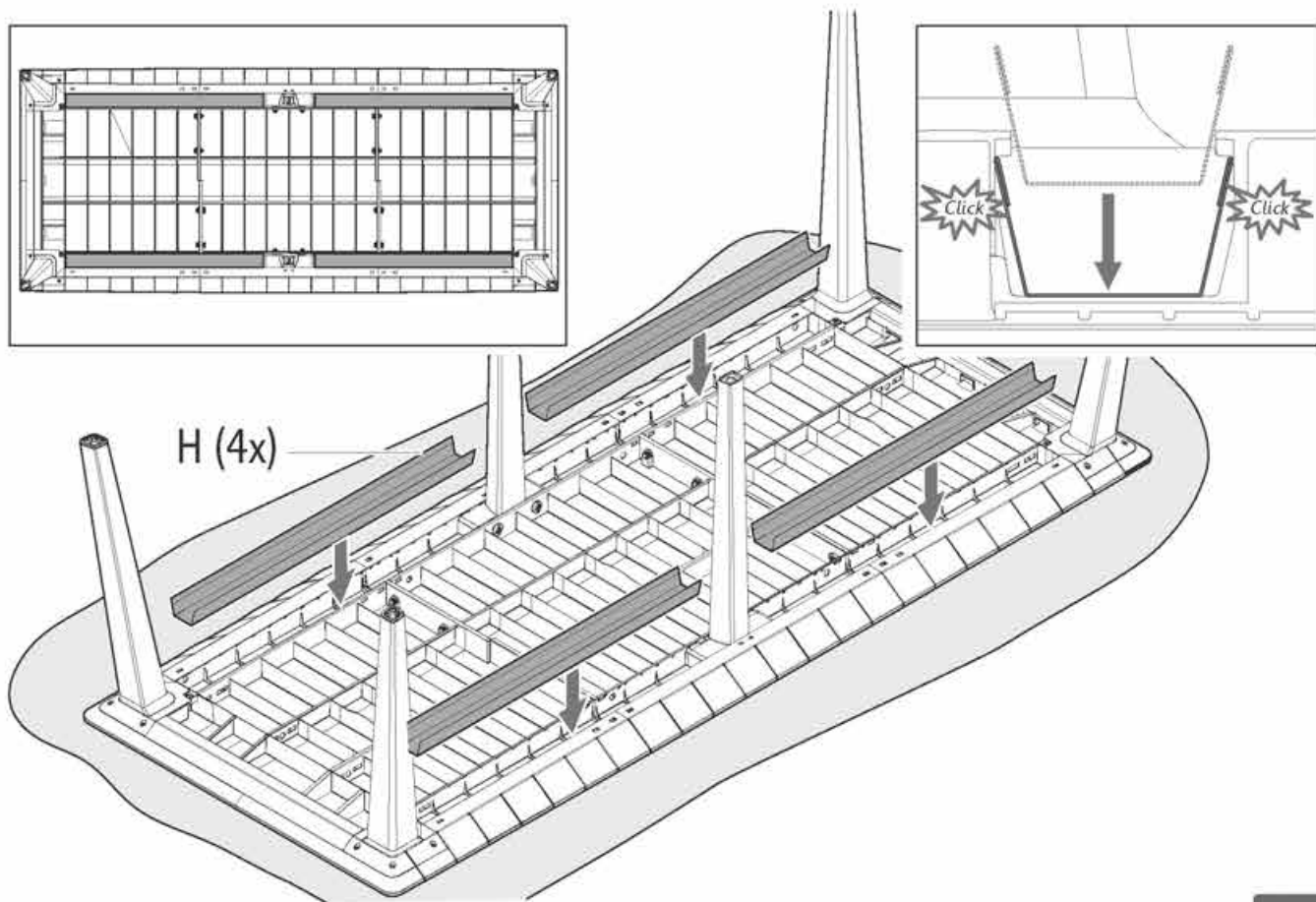
8



9

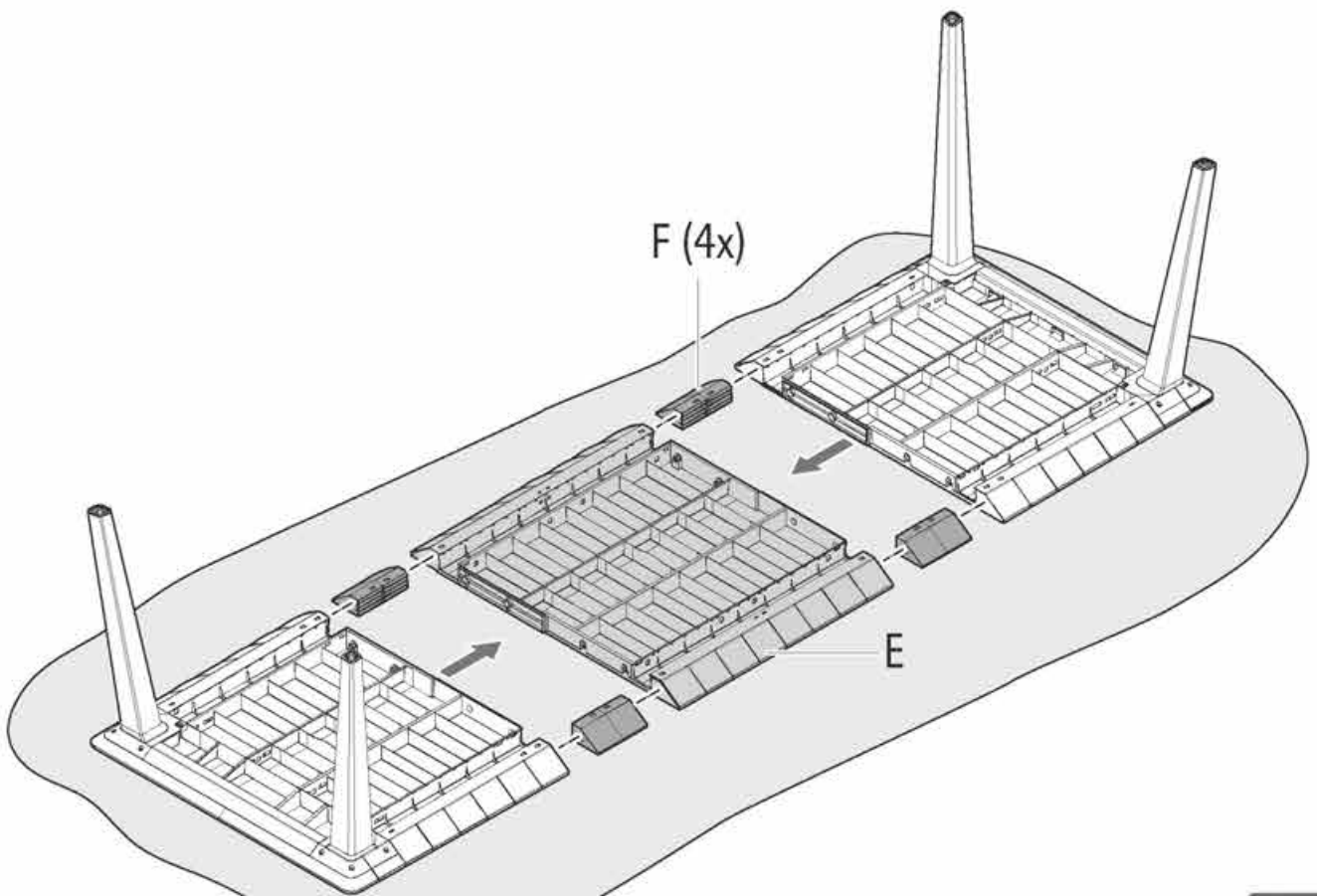


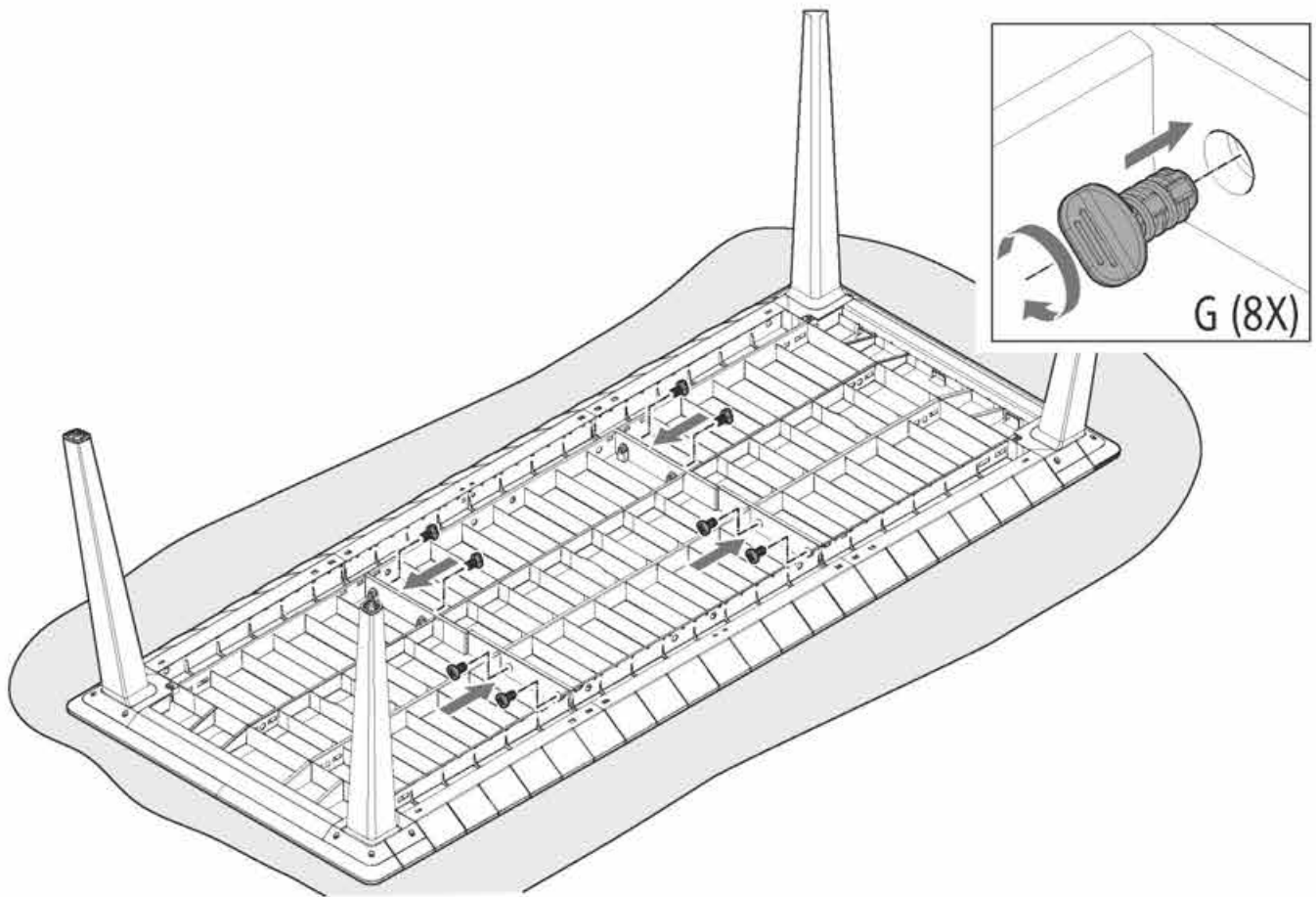
10



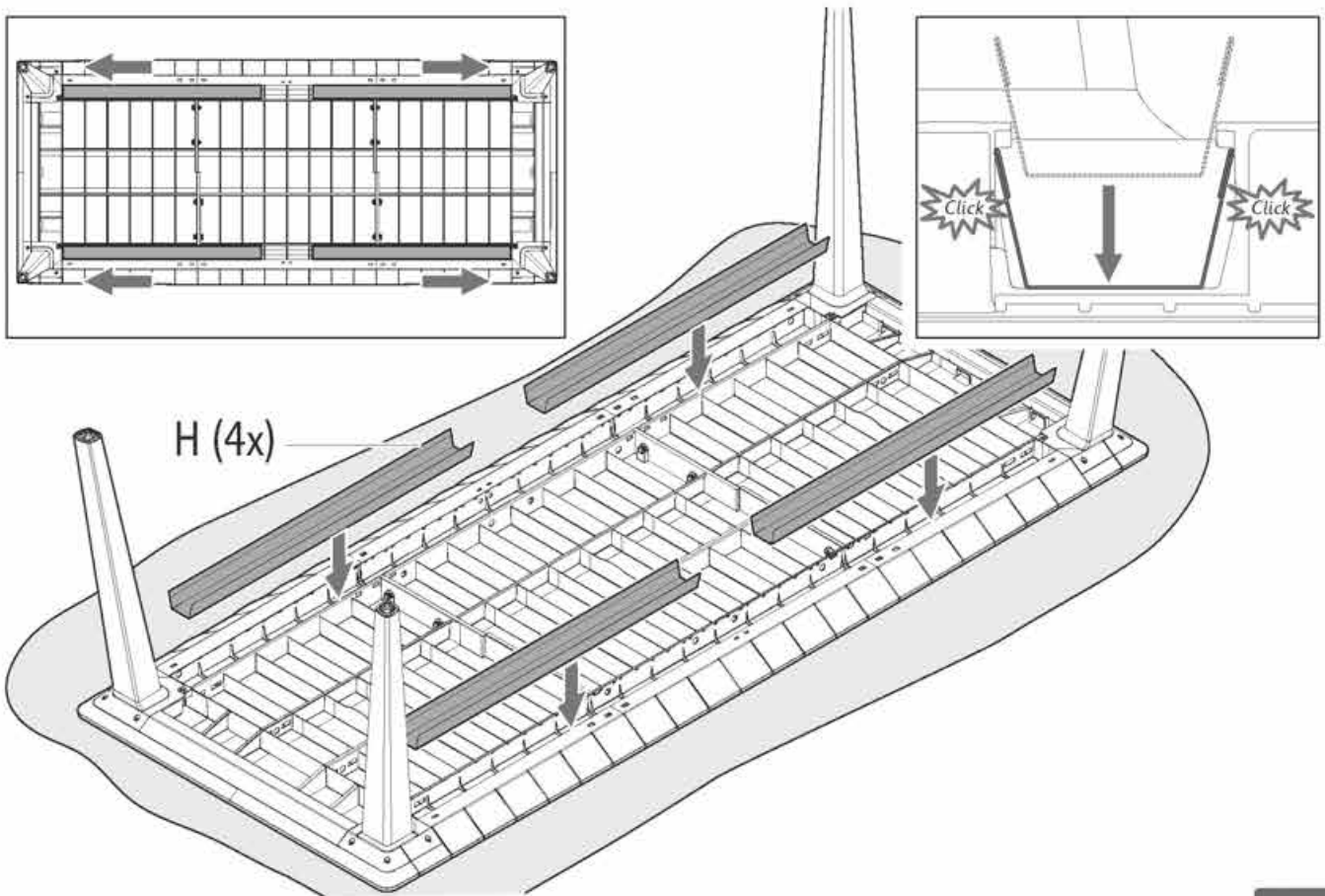
11

240

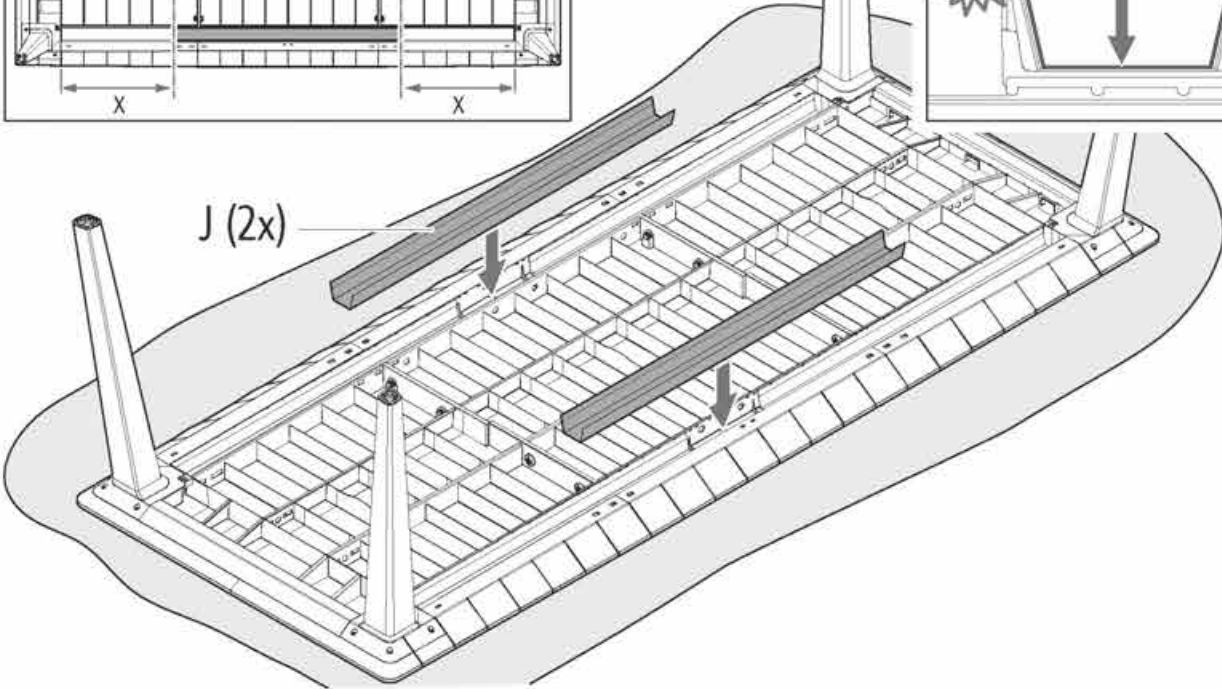
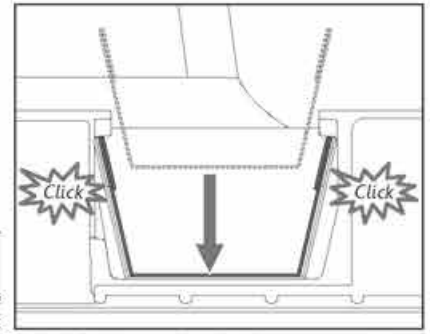
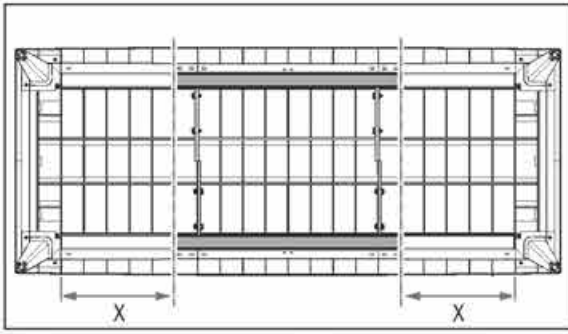




13

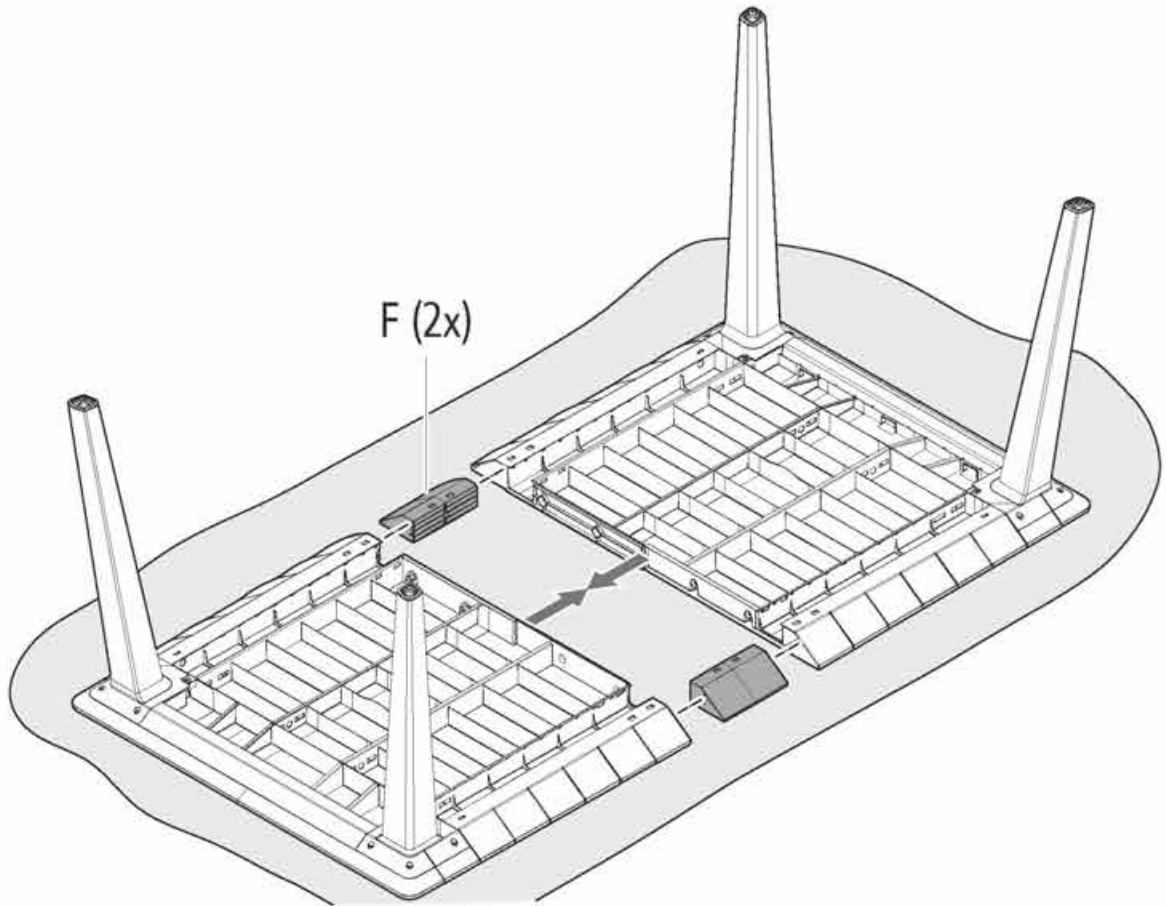


14

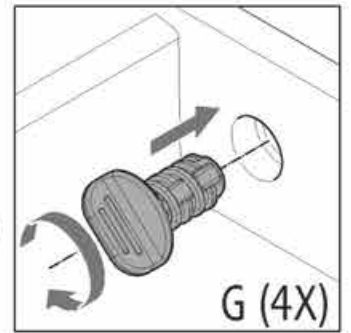
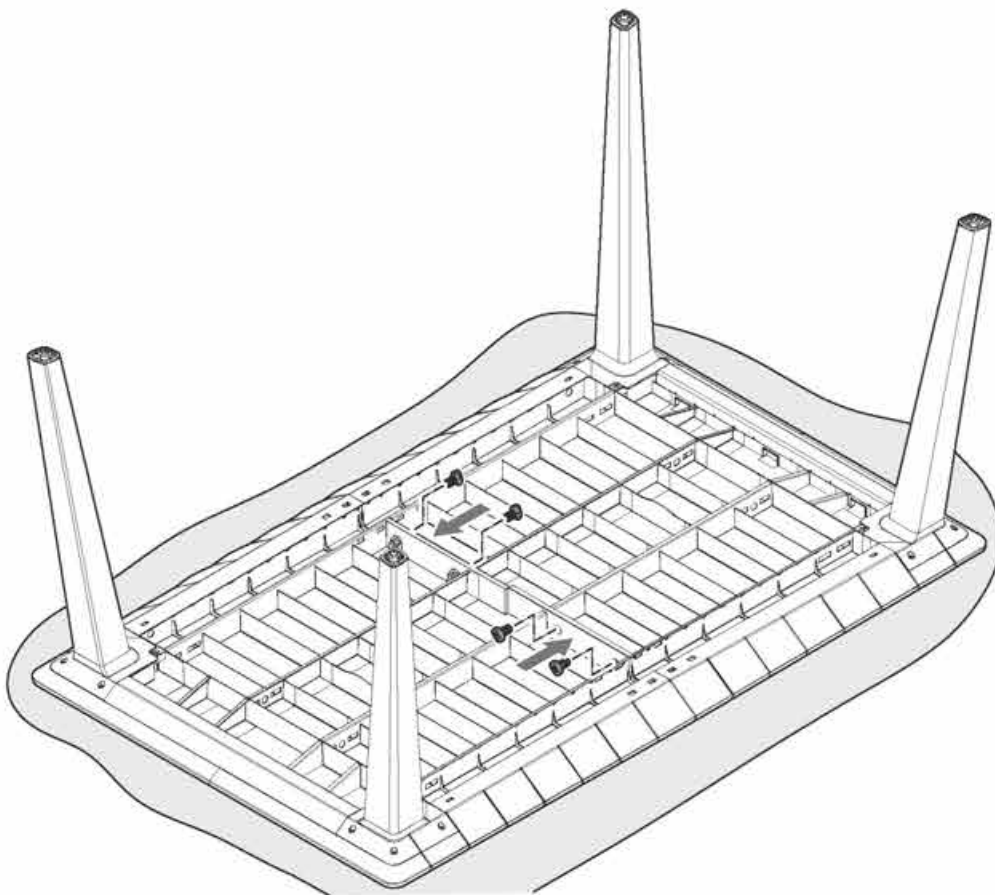


160

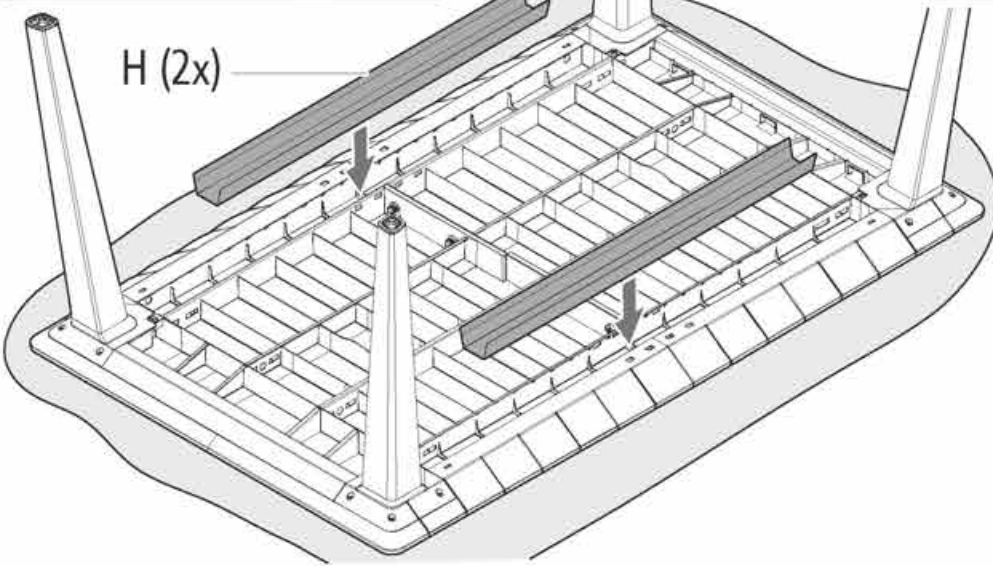
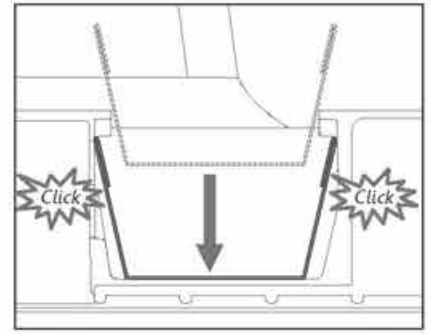
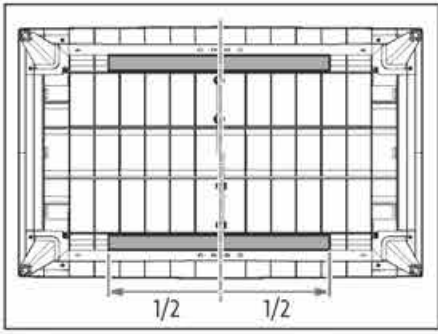


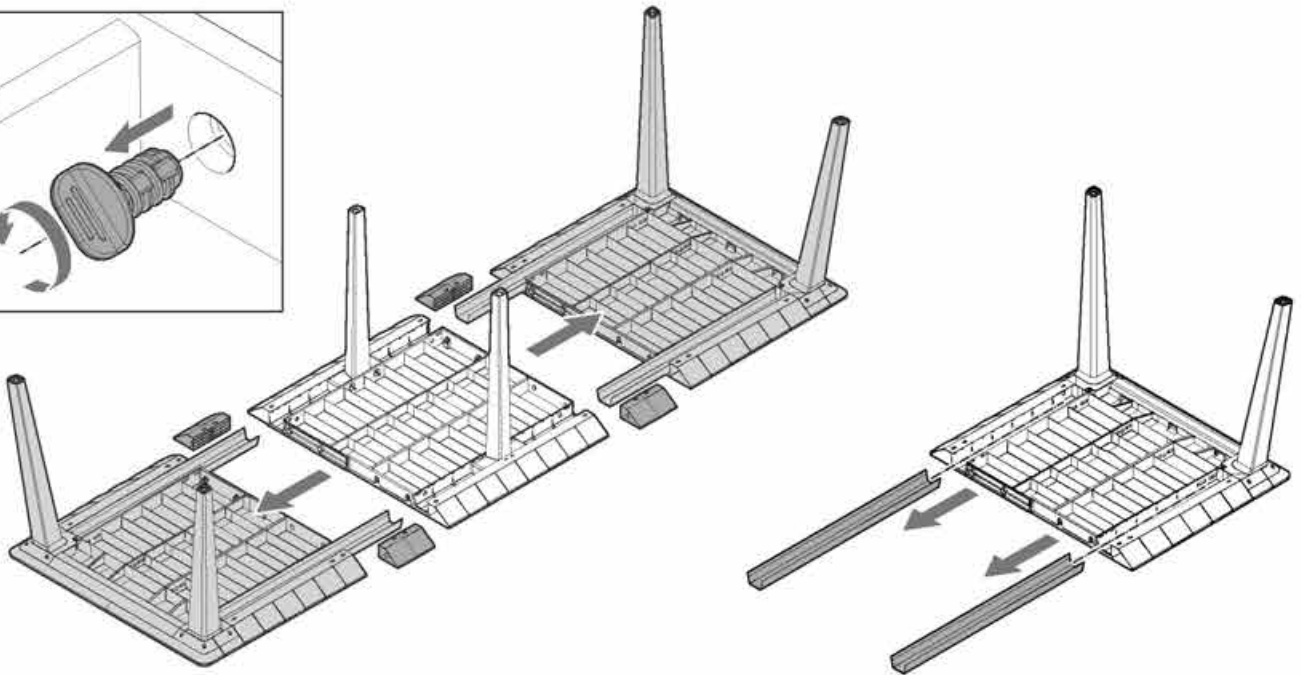
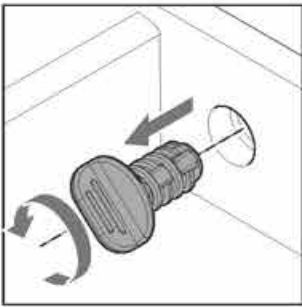
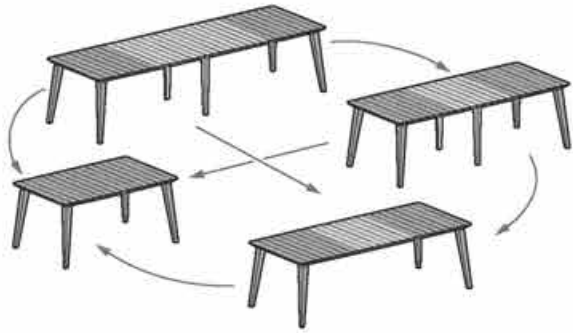


16

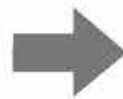


17

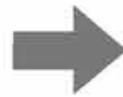




4 — 7



8 — 11



12 — 15



16 — 18

